



# **Certificate of Accreditation**

## **Sewage Management Facility**

### **Septic Tanks & Collection Wells**

*This Certificate of Accreditation is issued by the Secretary of the NSW Ministry of Health pursuant to Clause 41(1) of the Local Government (General) Regulation 2005.*

**Manufacturer:** *Eco-Septic Pty Ltd t/a Econocycle*

**Of:** *65 Warradale Road, Warragamba, NSW, 2752*

*The concrete Eco-Septic Poly Collection Well as described in the following Schedule has been accredited as a sewage management facility for use in single domestic premises in NSW.*

*A/Director, Environmental Health  
for Secretary (delegation PH335)*

**Issued:** *23 October 2020*

**Certificate No:** *STCW046*

**Expires:** *31 December 2025*

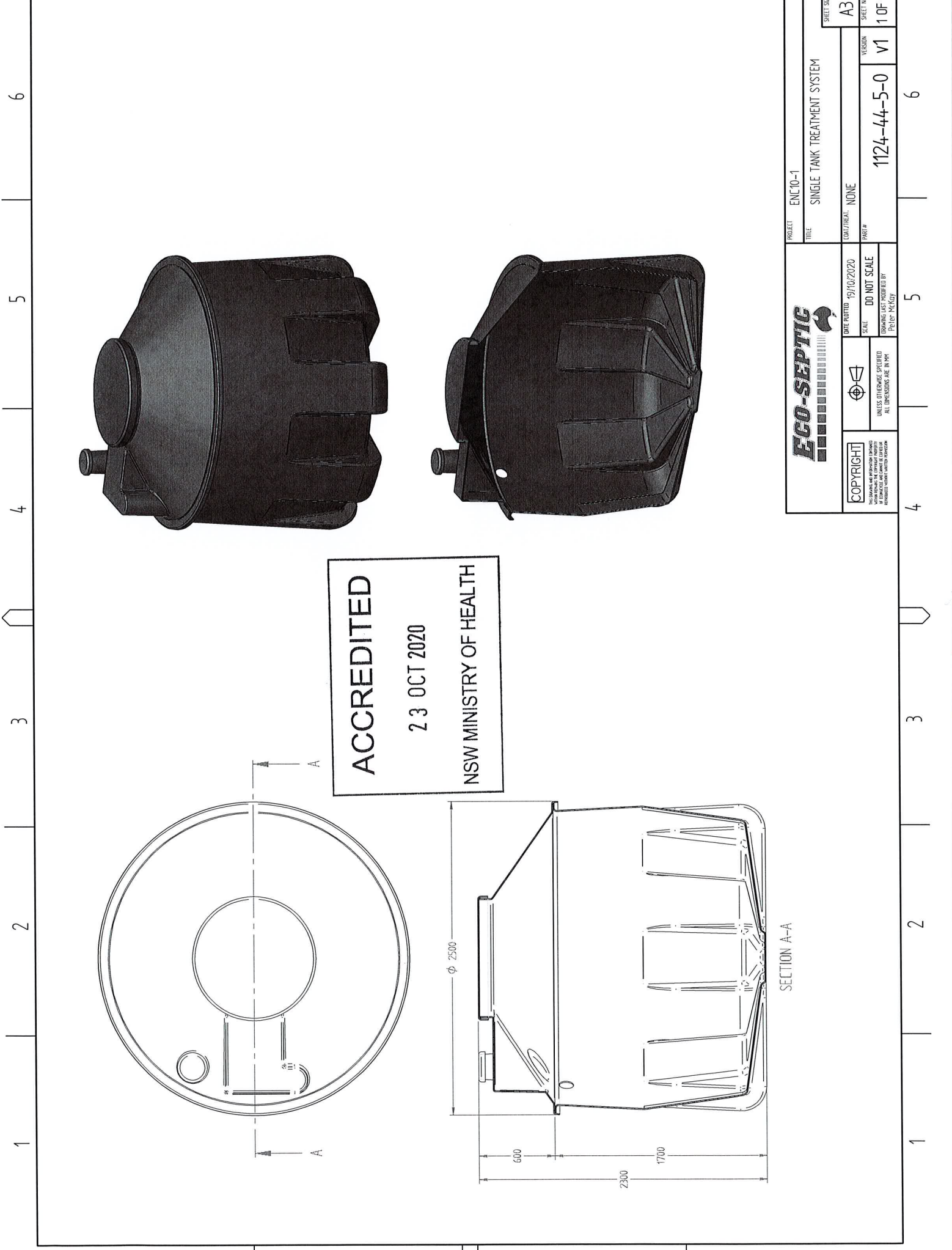


## ***Accreditation Schedule***

*The Certificate of Accreditation applies to the following  
Collection Well*

Model	Description	Size
Collection Well	Vertical Axis Type Section 9 of AS/NZS 1546.1:2008 where applicable. Cylindrical Tank Roto Moulded Polyethylene (Black). Certification applies only to the construction of the tank, inlet fitting and access cover.	7,200 L

1 2 3 4 5 6



ACCREDITED  
 23 OCT 2020  
 NSW MINISTRY OF HEALTH

<b>ECO-SEPTIC</b>		DATE PLOTTED: 19/10/2020	PROJECT: ENC10-1
 <small>THIS DRAWING AND PROJECT INFORMATION ARE THE PROPERTY OF ECO-SEPTIC. ALL RIGHTS ARE RESERVED. UNLESS OTHERWISE SPECIFIED, ALL DIMENSIONS ARE IN MM.</small>		SCALE: DO NOT SCALE	TITLE: SINGLE TANK TREATMENT SYSTEM
 <small>UNLESS OTHERWISE SPECIFIED, ALL DIMENSIONS ARE IN MM.</small>		DATE PLOTTED: 19/10/2020	COUNTRY/TREAT: NONE
<small>ECO-SEPTIC</small>		SCALE: DO NOT SCALE	VERSION: V1
<small>UNLESS OTHERWISE SPECIFIED, ALL DIMENSIONS ARE IN MM.</small>		DATE PLOTTED: 19/10/2020	PROJECT # 1124-44-5-0
<small>ECO-SEPTIC</small>		DATE PLOTTED: 19/10/2020	SHEET # 1 OF 1

A B C D

1 2 3 4 5 6